



JUSHUI

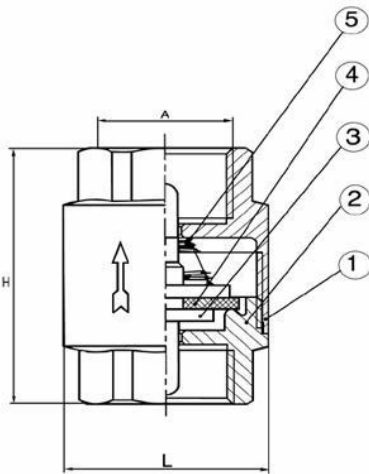
ISO9001 ISO14001

ART. - 3103

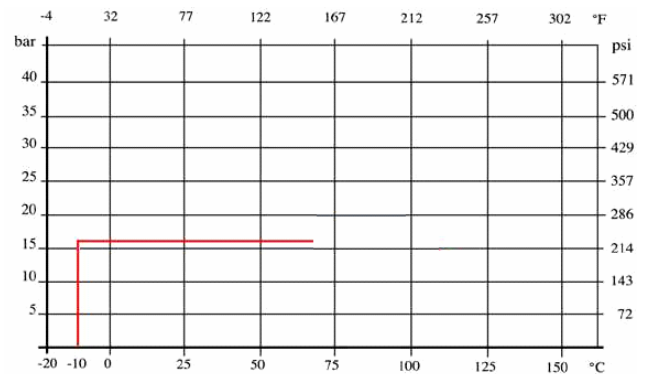


MS 58 BRASS SPRING CHECK VALVE
FORGING BRASS BODY
THREADS: UNI ISO 228/1
TEMPERATURE: -10 - +70°C
PRESSURE: 16 BAR
APPLICATION: WATER

No.	Name	Material
1	Body	Brass MS58
2	Bonnet	Brass MS58
3	Disc	ABS
4	Gasket	NBR
5	Spring	AISI 302



A	L	H
1/2	34,2	45
3/4	42	54
1	47	59,5
1 1/4	59	67
1 1/2	68	74
2	81	83
2 1/2	104	95
3	112	114
4	115	120





JUSHUI

ISO9001 ISO14001
